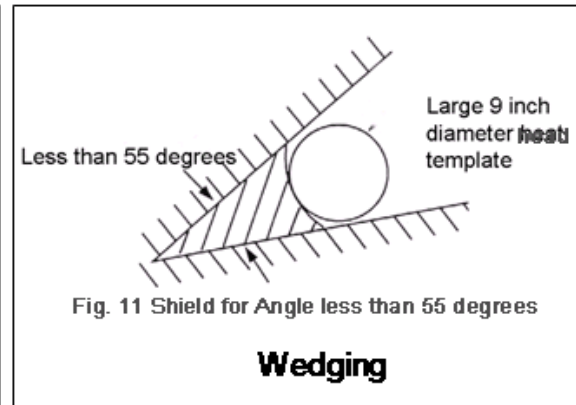
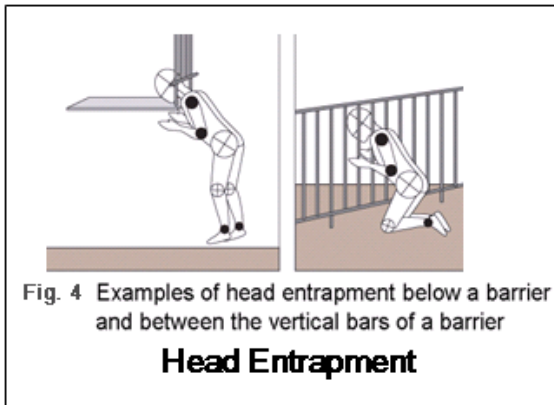


# Playground Safety



School Playgrounds present potential hazards that require special attention. The CPSC Playground Safety Guidelines provide an invaluable source of information for playground design and maintenance that address these potential hazards.

The Guidelines contain photos, diagrams, and tables relating to such potential hazards as impact injury from falls, head entrapment and wedging in poorly designed equipment, and injury from equipment due to sharp or jagged edges. For impact injury from falls the thickness of sand and other types of synthetic surfacing required for falls from various heights is shown. Diagrams illustrate how surfacing extending six feet around equipment like slides and swings is detailed.

Head entrapment from falls through guardrails at elevated platforms is explained by using a 9 inch diameter template to represent a 5 year old child's head. Diagrams show how entrapment occurs when rails spaced incorrectly allow a small child to fall feet first through vertical rails and literally hang the child. Wedging is explained and illustrated to show how a child's head can become trapped in conditions where an inclined 55 degree exists and the head can become stuck.

These are all potential hazards that must be considered if children are going to be provided with a safe playground environment.

For a copy of the CPSC Playground Safety Guidelines log on to <http://www.cpsc.gov/>, and search for "handbooks".